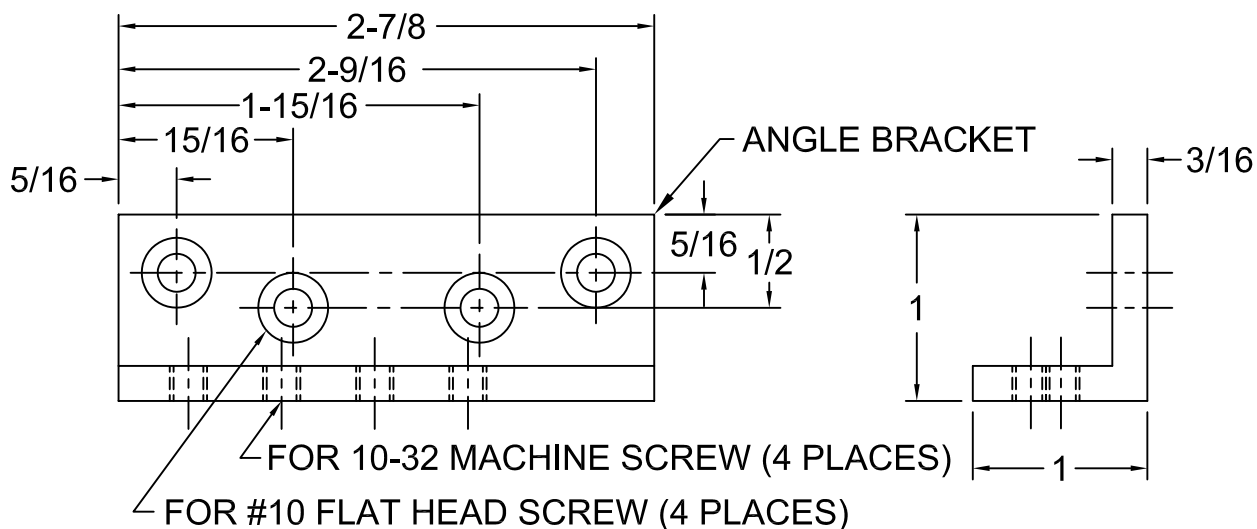
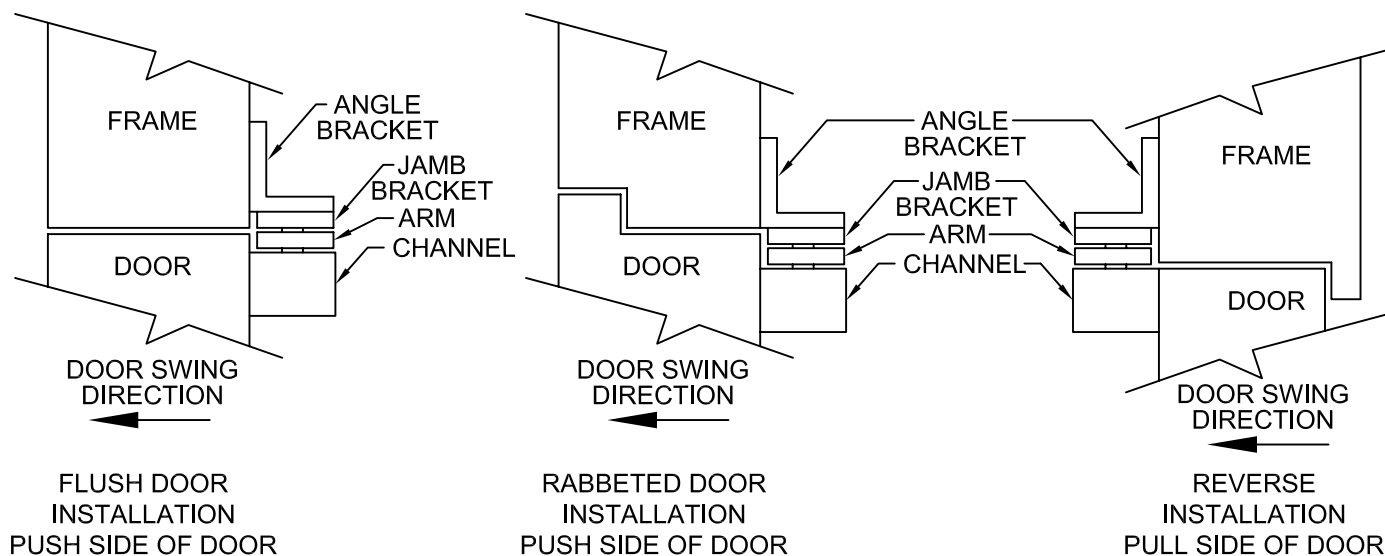


# ANGLE BRACKET FOR 3300ADJ & 4400 HOLDERS AND STOPS



THE ANGLE BRACKET IS SECURED TO THE HEADER WITH WOOD OR MACHINE SCREWS. THE JAMB BRACKET FASTENS TO THE ANGLE BRACKET WITH MACHINE SCREWS. THE CHANNEL MOUNTS ON THE DOOR WITH SEX BOLTS. REVERSE INSTALLATION METHOD IS NOT RECOMMENDED FOR EXTERIOR DOORS OPENING OUT.



www.abhmfg.com  
 E-mail: abhinfo@abhmfg.com  
 Architectural Builders Hardware Mfg., Inc.  
 1222 Ardmore Ave., Itasca, IL 60143  
 630.875.9900; FAX 800.9FAXABH (932.9224)

ABH is a minority owned and operated manufacturing company.

© 2004 ABH Mfg., Inc. printed in USA

44443-00.DWG

44443

ISSUED 07-13-04